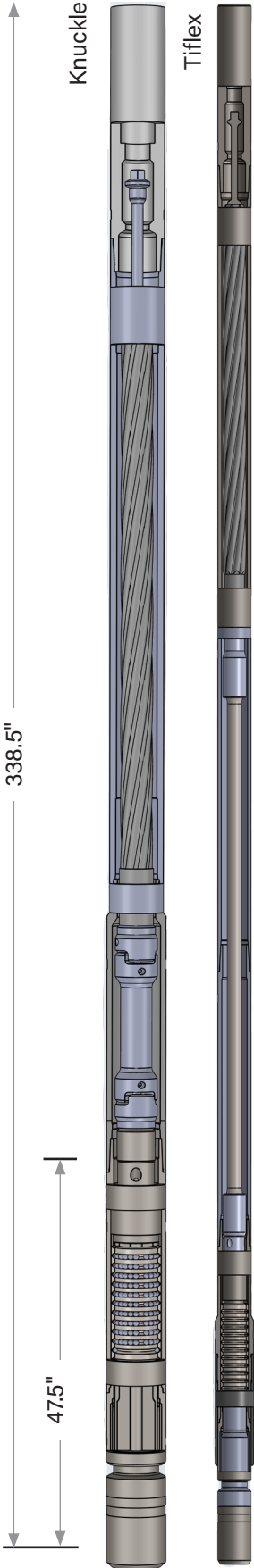




PERFORMANCE SPEC SHEET

5.00" 6/7 Lobe 8.0 Stage - Fixed



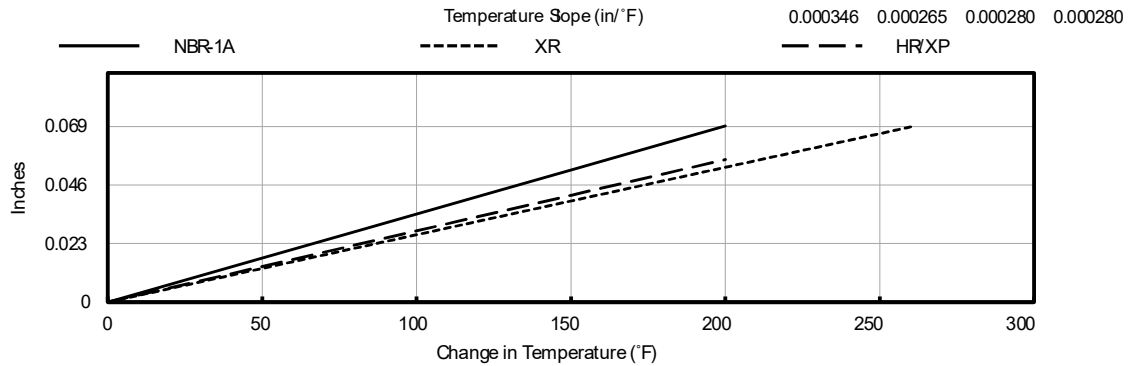
PHYSICAL DATA

Bit To Bend (in.)	47.5	Top Sub Connection	3 1/2 IF, XT-39
Overall Length (in.)	338.5	Bit Box Connection	3 1/2 REG
Weight (lbs)	1350	Stator Length	246
		Rotor Length	233.5

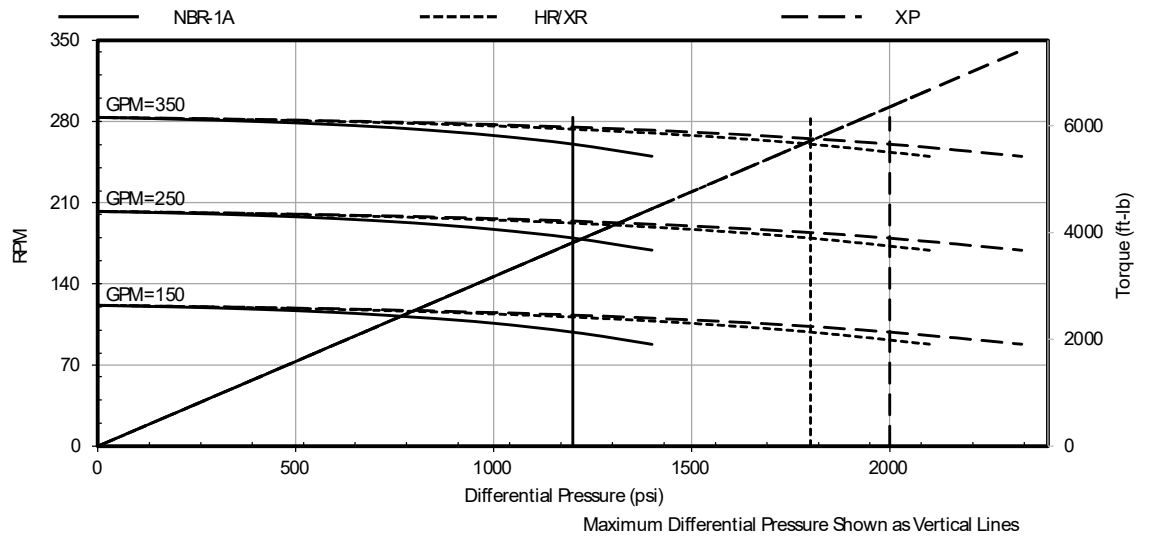
POWER SECTION

Flow Range	150 to 350 GPM	Stall Diff. Press. (psi)	3000
RPG	0.81 rev / gal	Stall Torque (ft-lb)	9530
Speed Range	122 to 284 RPM	Max Recommended (HP)	315
Max Diff Press. (psi)	2000		
Max. Torque (ft-lb)	6350		

POWER SECTION FIT CHANGE

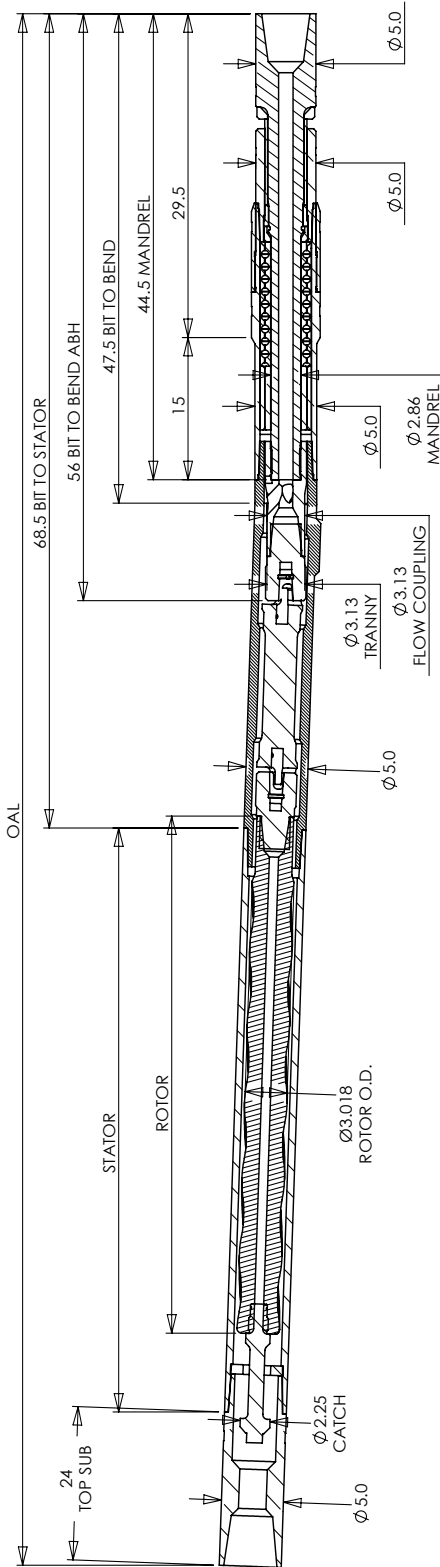


POWER SECTIONS POWER CURVES



5.00" 6/7 Lobe 8.0 Stage - Fixed

KNUCKLE



TIFLEX

