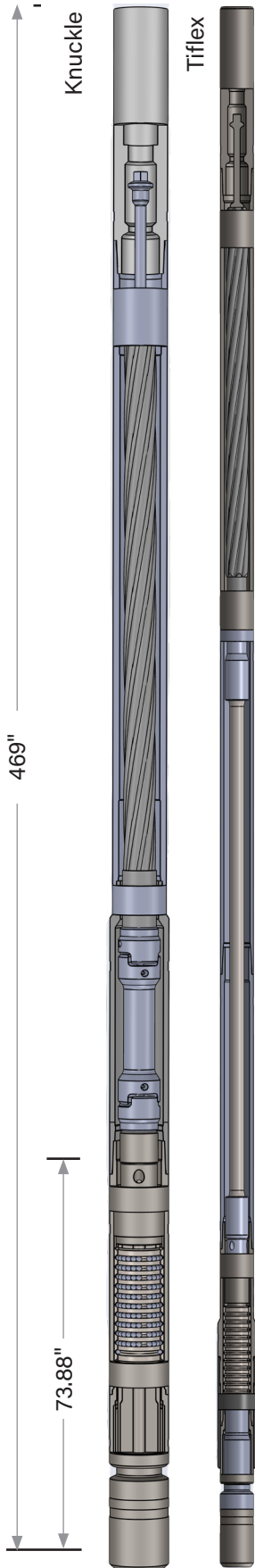




PERFORMANCE SPEC SHEET

7.00" 5/6 Lobe 8.3 Stage - Fixed



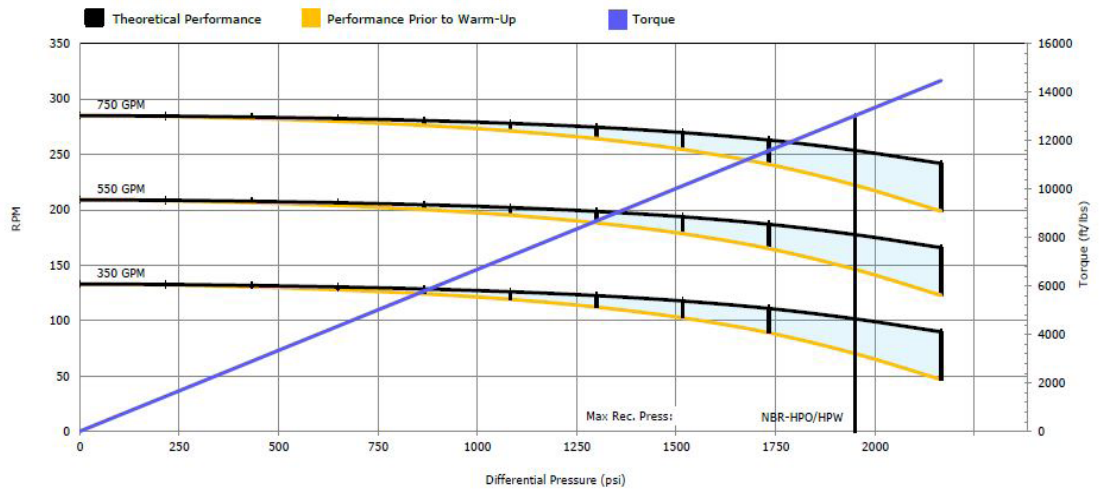
PHYSICAL DATA

Bit To Bend (in.)	73.88	Top Sub Connection	4 1/2 IF, 4 1/2 XH
Overall Length (in.)	469	Bit Box Connection	4 1/2 REG
Weight (lbs)	3318	Stator Length	233
		Rotor Length	260

POWER SECTION

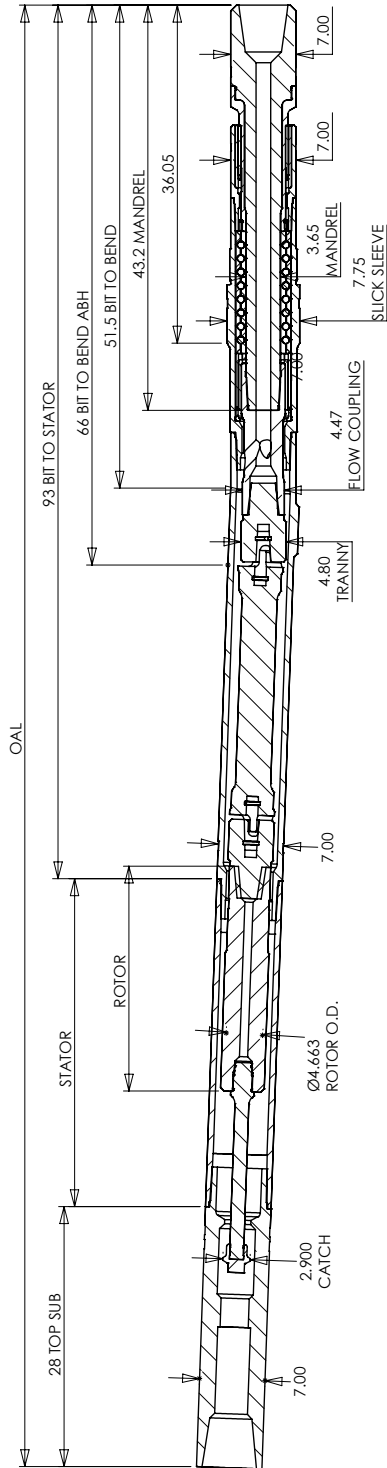
Flow Range	400 to 750 GPM	Stall Diff. Press. (psi)	3080
RPG	0.38 rev / gal	Stall Torque (ft-lb)	20530
Speed Range	130 to 290 RPM	Max Recommended (HP)	
Max Diff Press. (psi)	1960		
Max. Torque (ft-lb)	8320		

PERFORMANCE CURVE



7.00" 5/6 Lobe 8.3 Stage - Fixed

KNUCKLE



TIFLEX

