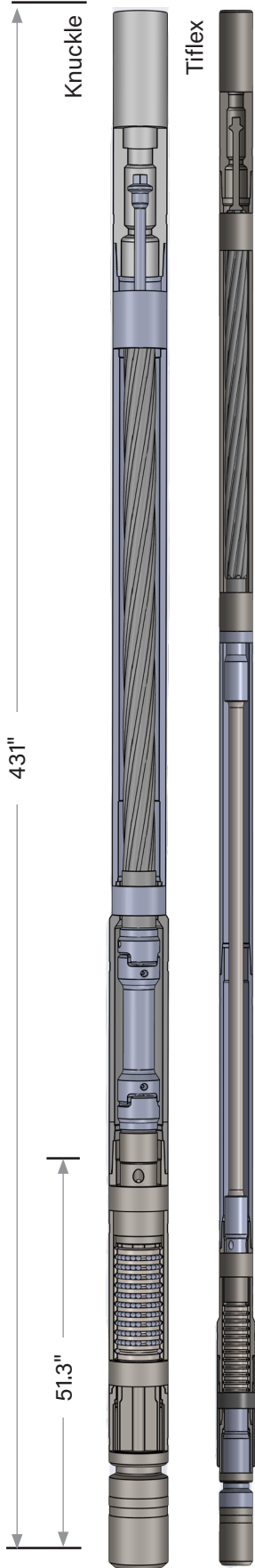




PERFORMANCE SPEC SHEET

7.25" 7/8 Lobe 8.5 Stage - Fixed



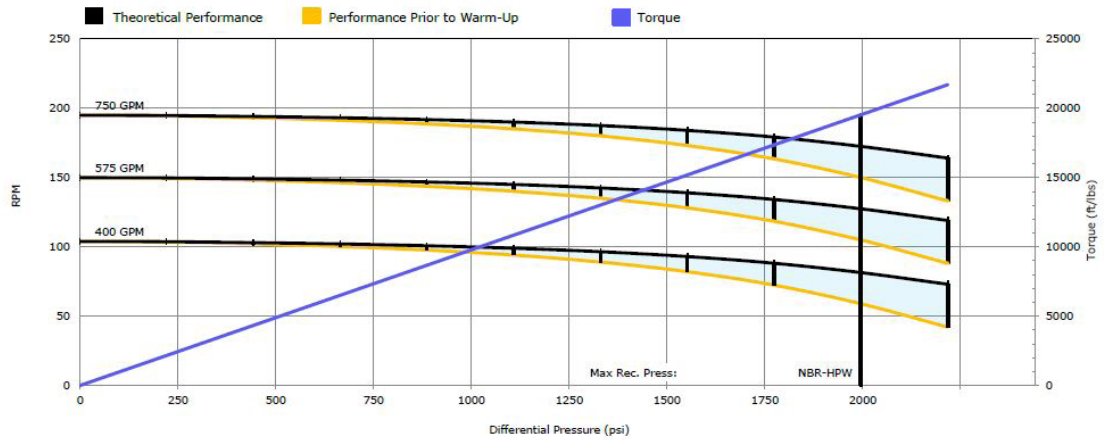
PHYSICAL DATA

Bit To Bend (in.)	51.3	Top Sub Connection	4 1/2 IF, 4 1/2 XH
Overall Length (in.)	431	Bit Box Connection	4 1/2 REG
Weight (lbs)	3700	Stator Length	300
		Rotor Length	294

POWER SECTION

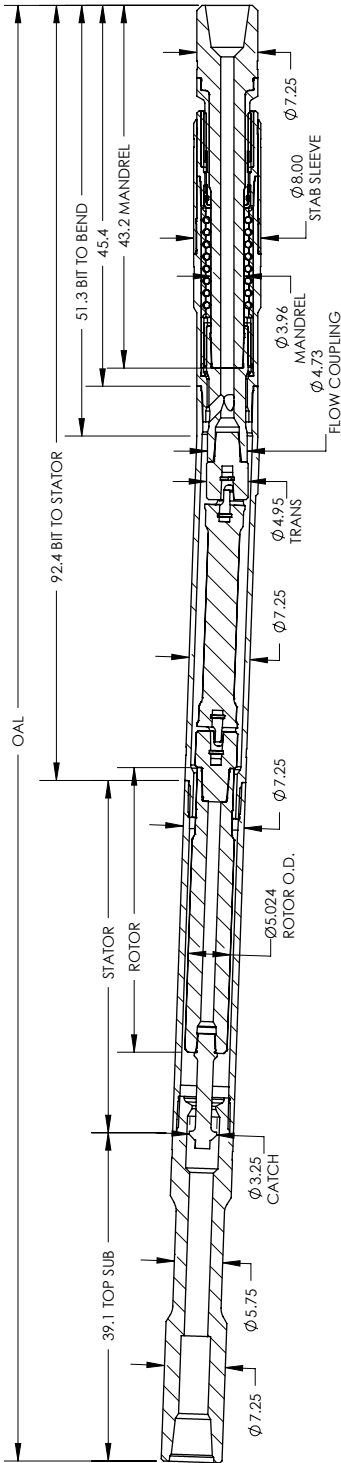
Flow Range	400 to 750 GPM	Stall Diff. Press. (psi)	3190
RPG	0.24 rev / gal	Stall Torque (ft-lb)	31180
Speed Range	96 to 180 RPM	Max Recommended (HP)	629
Max Diff Press. (psi)	2130		
Max. Torque (ft-lb)	20790		

PERFORMANCE CURVE



7.25" 7/8 Lobe 8.5 Stage - Fixed

KNUCKLE



TIFLEX

