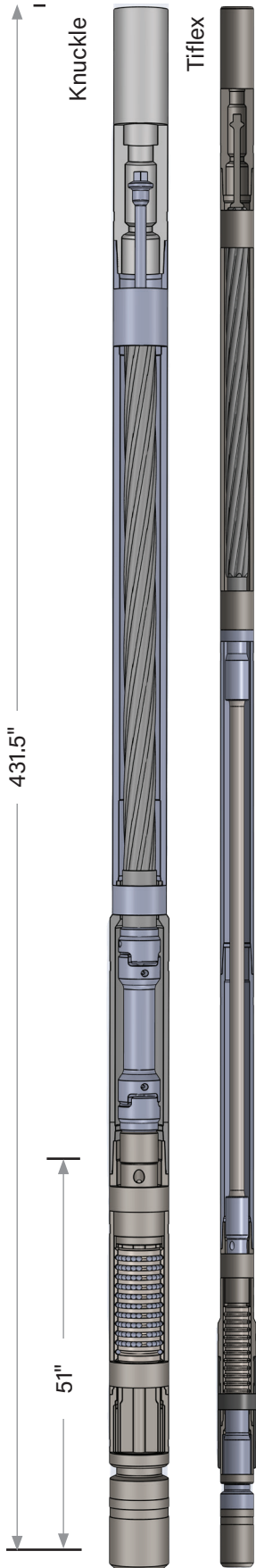




# PERFORMANCE SPEC SHEET

## 7.25" 6/7 12.1 Fixed



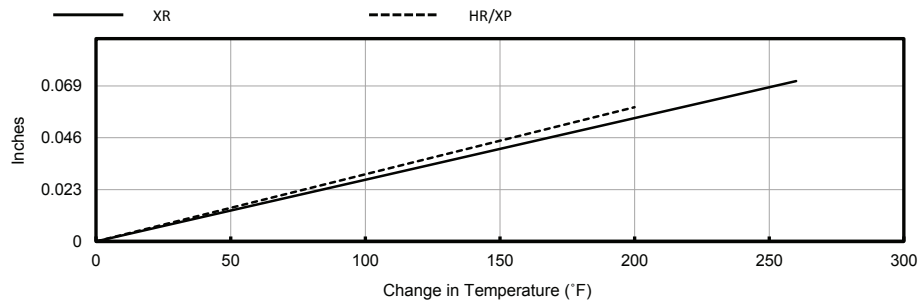
### PHYSICAL DATA

Bit To Bend (in.)	51	Top Sub Connection	4 1/2 IF, 4 1/2 XH
Overall Length (in.)	431.5	Bit Box Connection	4 1/2 REG
Weight (lbs)	3700	Stator Length	300
		Rotor Length	293

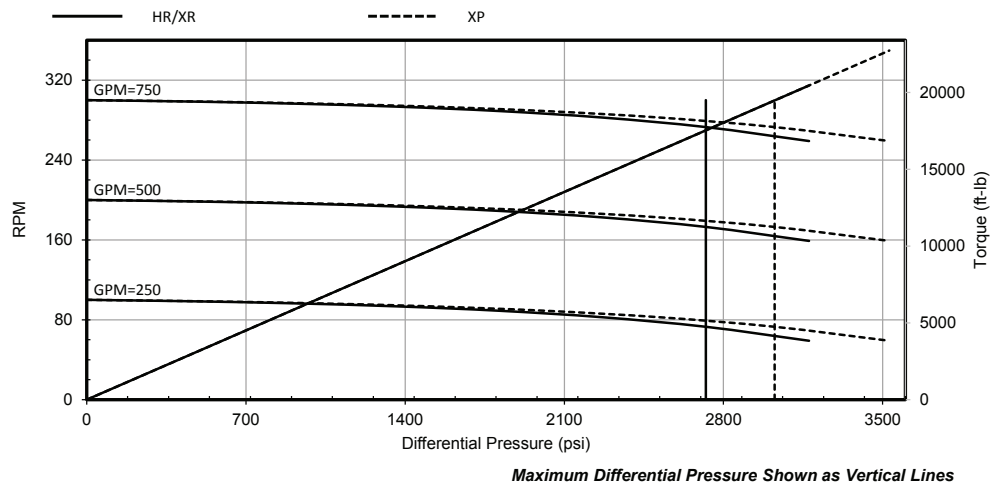
### POWER SECTION

Flow Range	300 to 800 GPM	Stall Diff. Press. (psi)	4990
RPG	0.4 rev / gal	Stall Torque (ft-lb)	32140
Speed Range	120 to 320 RPM	Max Recommended (HP)	1112
Max Diff Press. (psi)	3330		
Max. Torque (ft-lb)	21430		

### POWER SECTION FIT CHANGE

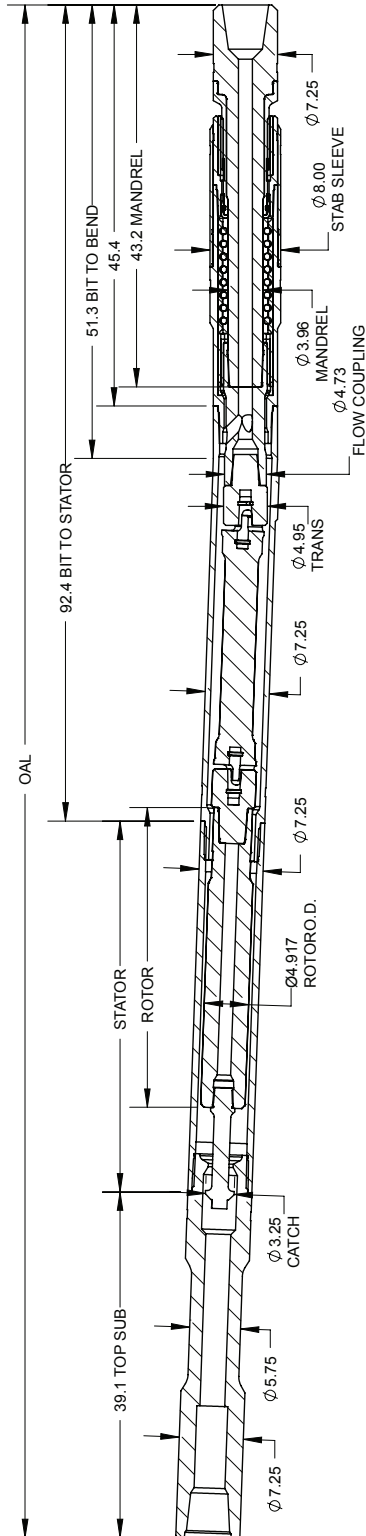


### POWER SECTIONS POWER CURVES



# 7.25" 6/7 12.1 Fixed

## KNUCKLE



## TIFLEX

